



Heavy Duty Gas Igniter

Maximum heat release: 600 kW (2,050,000 BTU/hr)
Ionisation monitored

Model **ZG2...**

Table of Contents

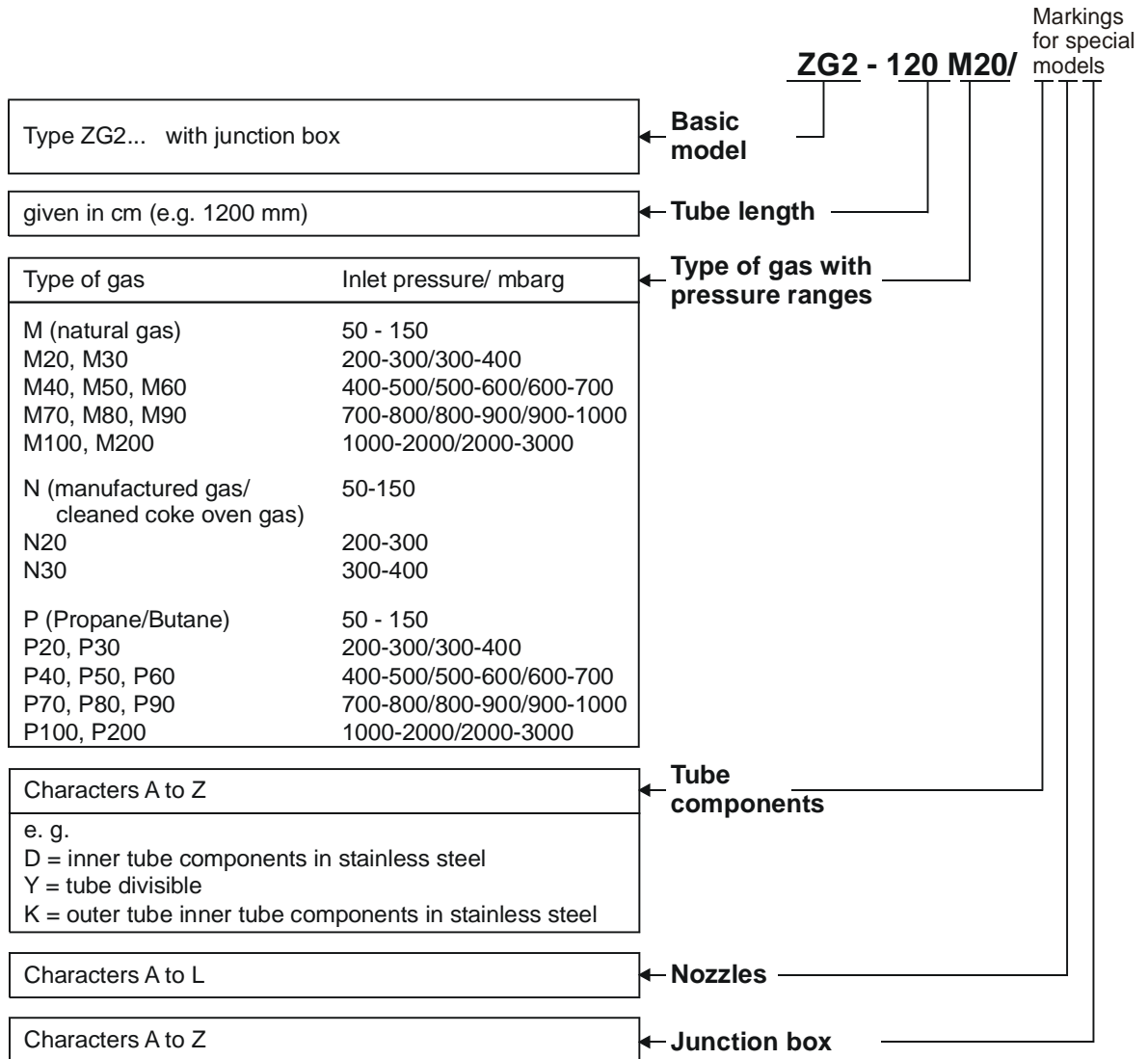
1. Part Numbering System	3
2. Technical Data	4
3. Storage, Installation Instructions and Lifetime	4
4. Flame Monitoring	4
5. Construction According to Sectional Drawing.....	5
6. Available Spare Parts and Wear and Tear Parts.....	6
7. Accessories	7
8. Setting the Required Gas Flow	7
9. Setting the Required Air Flow	8
10. Maintenance and Alignment.....	8
11. Electrical Function Test (without Flame) Using A10Z2 Test Diode	10
12. Gas- and Air-Regulating Components (to be ordered separately)	11
13. Troubleshooting	12
14. Approvals	15

Note

- ***Please read this manual and adhere to it when making use of the device***
- ***Installation and maintenance procedures may only be carried out by authorized personnel***
- ***All local regulations and the prevailing codes of practice must be observed during installation.***
- ***Improper installation, alignment and maintenance, as well as modifications by the customer, can all lead to personal injury or property damage, as well as loss of warranty!***

1. Part Numbering System

The example below shows how the most important igniter information is incorporated into the part number:



2. Technical Data

Burner Part

Heat release	max. 600 kW (2,050,000 BTU/hr)
Flame length.....	max. 2000 mm (approx. 80")
Tube length.....	lengths available from 240 –15,000 mm, in 10 mm increments
Gas connection	1", from top or bottom (design pressure max. 10bar)
Air connection.....	2", may be rotated in increments of 90°
Air flow	max. 300 m ³ /h
Air ratio	0.3 – 0.5; remainder must be available from combustion chamber itself
Maximum ambient temperature	igniter tube: 500°C (932°F); if temperature is higher, combustion air 20% min. must be left on to serve as cooling air, and a stainless steel outer tube must be used. At temperatures > 700°C (1292°F), additional cooling air must be supplied in the gap between the guide tube and igniter tube.
Maximum back pressure	200 mbarg inside the igniter housing

Junction Room

Cable entry.....	junction room with 3 cable glands Pg 9
Spark.....	2 x 5 kV electrode against electrode (by separate spark transformer)
Protection.....	IP 54

3. Storage, Installation Instructions and Lifetime

Igniters are to be stored in a dry and dust-free place. Ambient temperature during storage shall be 0 – 60°C. No operation and storage below dew point. Moisture must not exceed 60%. Igniters shall be protected from mechanical damages.

If the tube is longer than 3 m (approx. 118"), the igniter must be provided with a guide tube. This prevents the tube from bending too much. The end of the igniter tube should protrude at least 150 mm (approx. 6") from the end of the guide tube, if the ambient heat does not require otherwise.

The gap between carrier tube and igniter tube ought to be 5 mm (app. 0.2") or more.

In case of higher furnace temperatures additional cooling air may be supplied into the gap through a separate port.

The device has a limited service life. It is designed for appr. 250,000 start ups. For 50 start ups per day its lifetime would be about 10 years. This time decreases under bad conditions e.g. dust, high or low temperature, moisture, aggressive gases. When the appliance has reached the end of its lifetime it must be disposed of according to local regulations.

4. Flame Monitoring

The flame is monitored by an ionisation electrode which must be doused into the flame. This flame rod is energized with an a.c. voltage. The burning flame creates a conductive connection to burner mass and acts as a rectifier for the small ionisation current. This d.c. signal is amplified in the flame monitor, which turn a contact.

The ionisation electrode and the spark electrode are aligned according to the drawing on page 9. The electrode support ring is only available as one unit. The electrodes on the support ring are already bent and aligned.

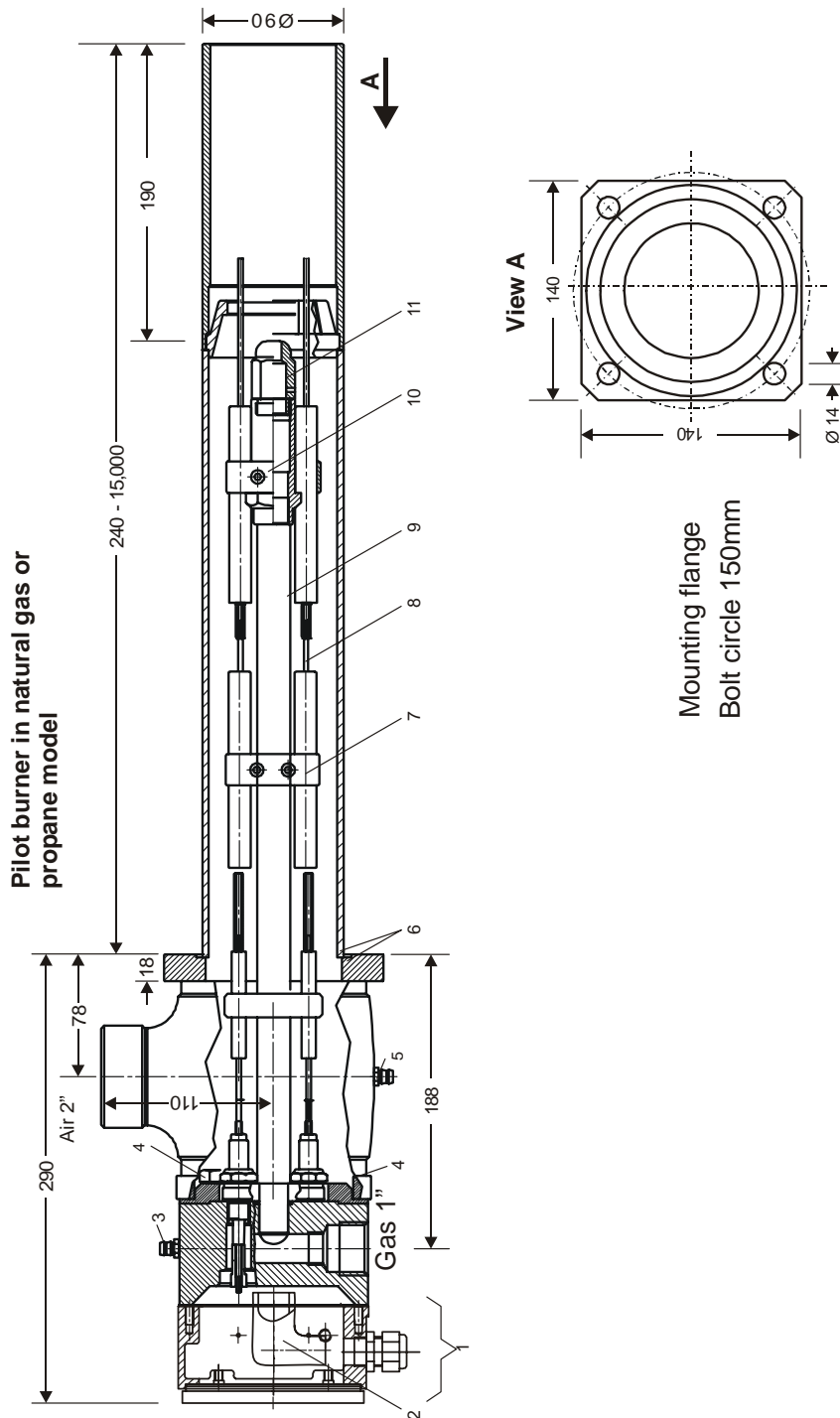
The internal resistance of the ionisation path is several MΩ. This high resistance requires good insulation for the electrodes and the connecting rods. Therefore, it is important to clean the insulators more often if the combustion air contains dust; avoid moisture.

The temperature of the ceramics must not exceed 500°C. Please see also chapter 'Technical Data; Maximum ambient temperatur'.

5. Construction According to Sectional Drawing

The igniters consist essentially of the junction room (item 1), the igniter tube with air/mounting flange (6), gas tube (9) and nozzle (11), as well as the electrode support ring (10). The igniter tube, which includes the air connection, is threaded onto the transformer module, and, after loosening four screws (4), can be detached or rotated in 90° increments according to the location of the air supply. When rotating the tubes, one must be careful not to twist the inner support rings and rods. This could disrupt operation of the igniter.

The gas connection can be made from either the top or bottom. The unused opening is plugged with a stopper into which the gas pressure test nipple (3) has also been screwed. The electrode support ring (10) is attached to the end of the gas tube. The ionisation and 2 spark electrodes are lengthened with connecting rods (8). These rods are guided via three ceramic insulators through the floor of the junction room and are supported every 300 mm by intermediate support rings (7).



Igniter Sectional Drawing

6. Available Spare Parts and Wear and Tear Parts

Item.	Qty.	Description	Part Number	Voltages	Material	Remarks
1	1	Junction room with gas flange	--		Cast aluminum	No spare part
2	1	High voltage plug	--		Bakelite	No spare part
3	1	Gas pressure test nipple	--		Brass * Stainless steel *	No spare part
4	4	Allen screw	--		Stainless steel	No spare part
5	1	Air pressure test nipple	Z138Z1 or Z138Z101		Brass * Stainless steel *	No spare part
6	1	Igniter tube, complete with mixing chamber, mounting flange and air flange	Z1445Z_ _ _		Stainless steel	Standard model Can be rotated in increments of 90°
7	*	Intermediate support ring with 3 ceramic insulators (Z545F4)	Z365K3		Stainless steel	*Qty. required depends on tube length: 3 rings per meter
8	3	Connecting rods	--		Stainless steel	∅ 3.0 mm No spare part
9	1	Gas tube	--		Stainless steel	No spare part
10	1	Electrode support ring with 3 ceramic insulators and 3 electrodes	Z911K1		Stainless steel	Standard Subject to wear and tear
11	1	Gas nozzle	Natural gas	Z530F100-6x30H	Stainless steel 1.4104	Standard
			Propane gas	Z530F60-6x25V	Stainless steel 1.4104	
			Coke oven gas	Z530F130-6x30V	Stainless steel 1.4104	

* special design upon request

7. Accessories

The igniters can be connected to the following devices:

- Flame monitor D-IO 55-10
for intermittent operation
surface type unit
230 V 50/60 Hz
also available for 115 V 50/60 Hz
see also separate brochure
or with any other suitable flame monitor
Burner Control has to be installed at site
- or
- Burner control D-GF 55-10
for intermittent operation
surface type unit
230 V 50/60 Hz
also available for 115 V 50/60 Hz
see also separate brochure
or with any other suitable burner control for
ionisation monitoring

- 2 x Spark Transformer AF800T10 or AF900T10
Cast aluminum housing
see also separate brochure
or with suitable external transformer
- or
- 1 x Spark Transformer AF700T20
Cast aluminum housing
see also separate brochure
or with suitable external transformer

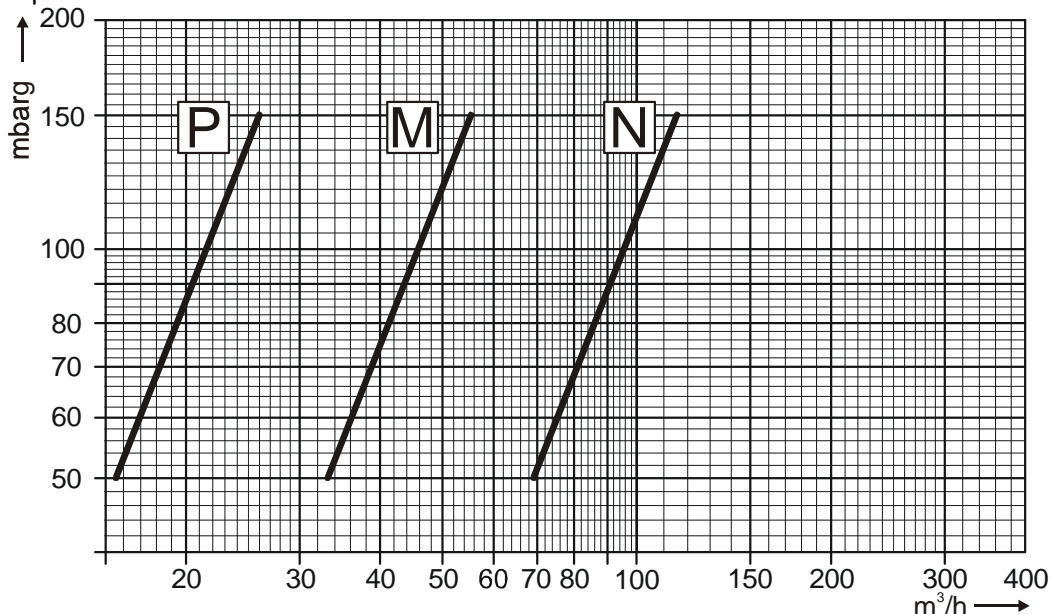
Note: The flame signal cable should be installed separately from the spark cable to avoid interference.

8. Setting the Required Gas Flow

The igniter operates in a pressure range of 50-150 mbarg, which may be measured using the **gas pressure test nipple (item 3/ sectional drawing)**. Open the test nipple by turning the inserted Allen screw anti clockwise by 1 ½ turns. Connect the hose with pressure gauge immediately (be aware of the pressure). After measurement close test nipple by turning clockwise immediately. The gas flow can be selected according to the diagram below. Pressure is set using a ball valve to a value of 100 mbar.

If, when placing an order, a higher gas pressure is given, then pressure-reducing restrictors are screwed into the threads of both gas inlets at the factory. This allows the pressure of the igniter to be set to a level above 150 mbar. If high admission pressure is available at the plant, then pressure can be restricted to levels below 150 mbar using the ball valve.

At admission pressure levels above 500 mbar, this setting becomes extremely difficult. In these cases one should request from Hegwein the appropriate pressure-reducing restrictors and indicate the admission pressure.



Character	Gas	Nozzle Orifices (mm)	Flame Length (mm)	Notes
P	Propane	Z530F60-6x25V	ca. 2000	Standard
M	Natural gas	Z530F100-6x30H	ca. 2000	Standard
N	Manuf. gas	Z530F130-6x30V	ca. 2000	Standard

The graphs shown are based on average values regarding gas density, gas composition, calorific value, igniter version and igniter tube length as well as optimised surrounding (unimpeded burn out and no back pressure in combustion chamber). The supply pressure derived from the graphs should therefore be regarded as guide numbers only. The actually required values can deviate, depending on site conditions.

9. Setting the Required Air Flow

The required air flow or air pressure basically depends on the length of the igniter tube. 15 mbar of flow pressure are required for tube lengths up to 1 m, with an additional 10 mbar for each additional meter.

For example, the air pressure on a igniter with a tube length of 3 m must be set to 15 mbar + 2 x 10 mbar, for a total of 35 mbar.

The blower pressure has to be reduced by an air regulating sleeve to the actually required flow pressure stipulated by the igniter's tubelength. Any furnace backpressure have to be compensated. The flow pressure can be picked up at the **air pressure test nipple (item 5/ sectional drawing)**. Open the test nipple by turning the inserted Allen screw anti clockwise by 1 ½ turns. Connect the hose with pressure gauge immediately (be aware of the pressure). After measurement close test nipple by turning clockwise immediately.

Varying back pressures with fluctuations exceeding 20% require a differential pressure regulator on the air supply side.

If the air pressure has been set correctly, the following will occur:

1. Immediate ignition
2. Good optical flame image
3. Flame length approx. 2000 mm at a maximum capacity of 600 kW (approx. 2,050,000 BTU/hr) unimpeded burn out

10. Maintenance and Alignment

These igniters do not require any special maintenance. They should, however, be checked periodically (e.g., every 3 months) for proper operation.

If the igniters are operated using air that contains dust, this check should be performed at shorter intervals, since electrically conductive dirt deposits or moisture on the ceramic insulators can lead to a fault in the igniter.

The intrinsic impedance of the ionisation path amounts to several MΩ. Such high resistance requires that the ceramic insulators be in perfect condition.

Performing Maintenance and Replacing Worn Parts

(please compare to the sectional drawing)

Igniter Tube (may be rotated in 90° increments)

After loosening the four screws (item 4), the tube may be removed. Depending on the position of the air connection the tube may be turned and tightened.

Electrode Support Ring (subject to wear and tear, exempted from manufacturer's warranty)

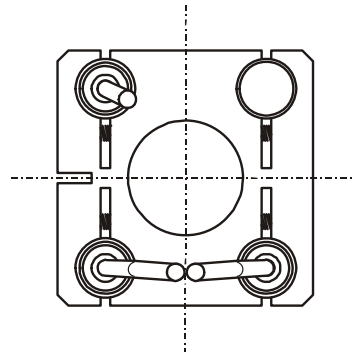
Remove the igniter tube and loosen the locking screw on the support ring. The ring may then be removed from the gas tube. Slide in the new ring, insert the connecting rods into the sockets and tighten the locking screw. The electrode support ring is placed behind the gas nozzle. The alignment of the electrodes is described on page 11. The electrode support rings are normally delivered with the electrodes already bent.

Intermediate Support Ring (for tube lengths greater than 600 mm)

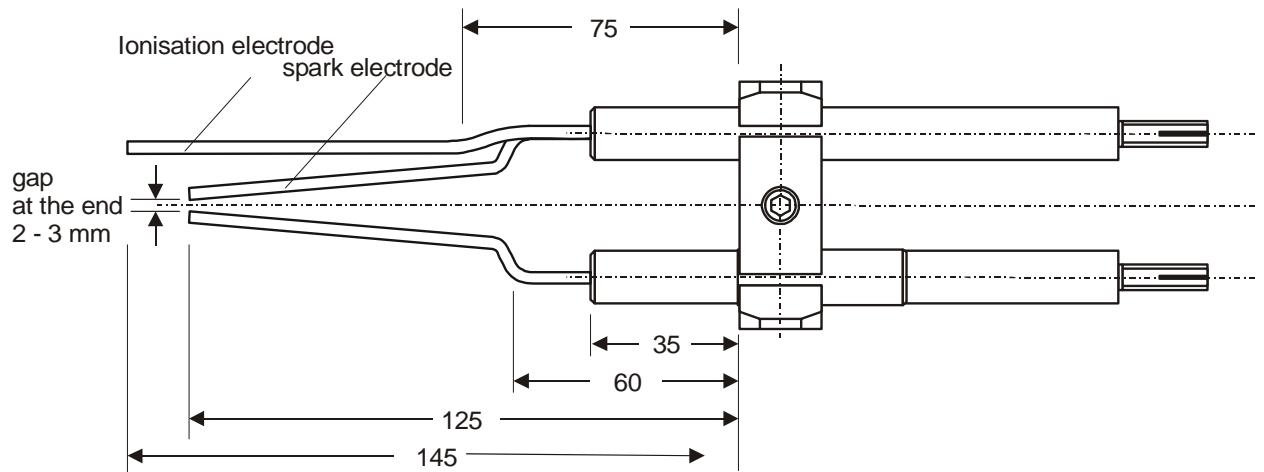
Remove the igniter tube and electrode support ring and the nozzle holder at the gas tube end tip. Loosen the locking screw of each support ring and remove them from the tube. Slide on the new intermediate support rings and insert the connecting rods. The intermediate support rings should be spaced at intervals of 300 mm from one another. Finally, the the nozzle holder and the electrode support ring is slid

onto the gas tube and the connecting rods are inserted into the sockets on the ring. Tighten all locking screws on the support rings, while observing that the rods do not become twisted.

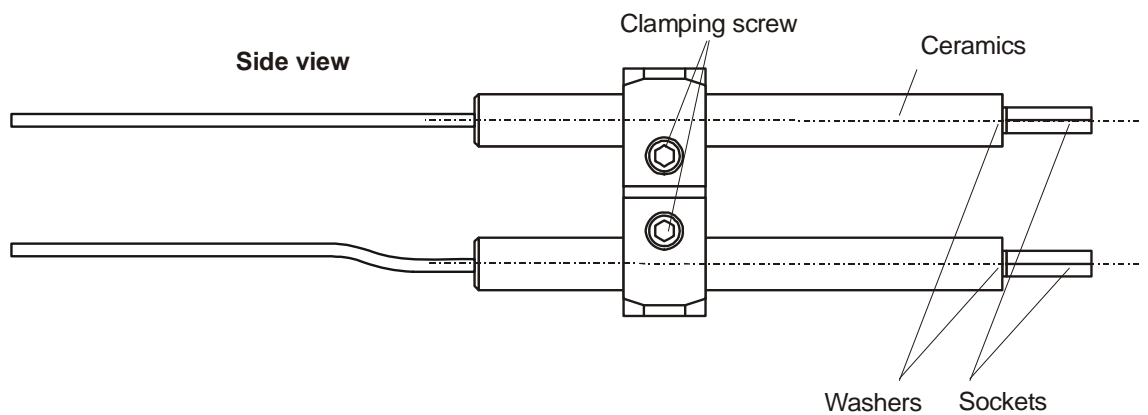
Front view



Top view



Side view



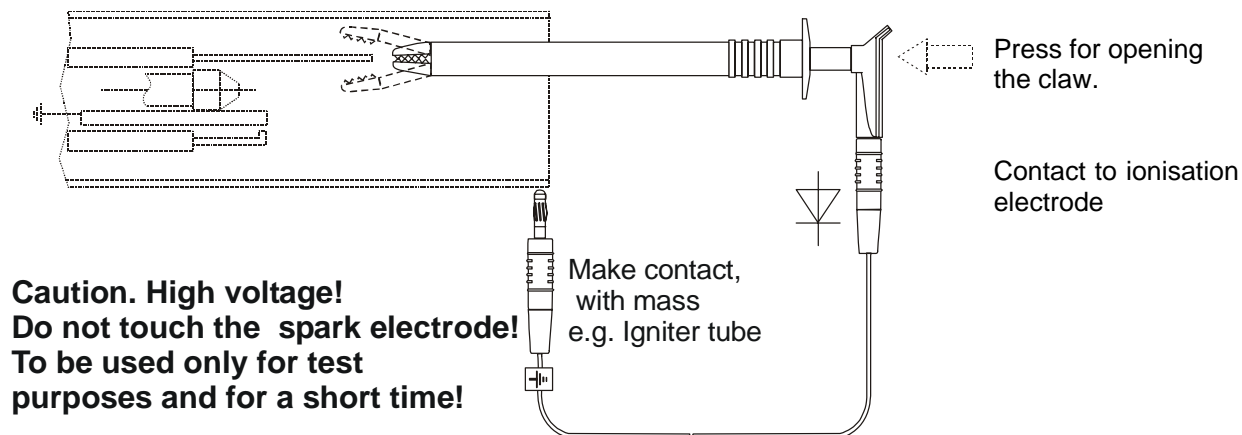
Alignment of the Z955K2 Electrode Support Rings
 Complete with ceramics and pre-bent electrodes

11. Electrical Function Test (without Flame) Using A10Z2 Test Diode

This test diode is employed to perform a purely electrical function test. Such a test should be carried out by authorized personnel only.

Caution: The gas valve must first be closed!

With the aid of the test diode A10Z2 (rectifier built in to a cable), may be simulated a flame signal to the flame monitor, once power is applied. The diode must be clamped to the ionisation electrode, the other end of the cable should make contact with burner mass (note the polarity!)



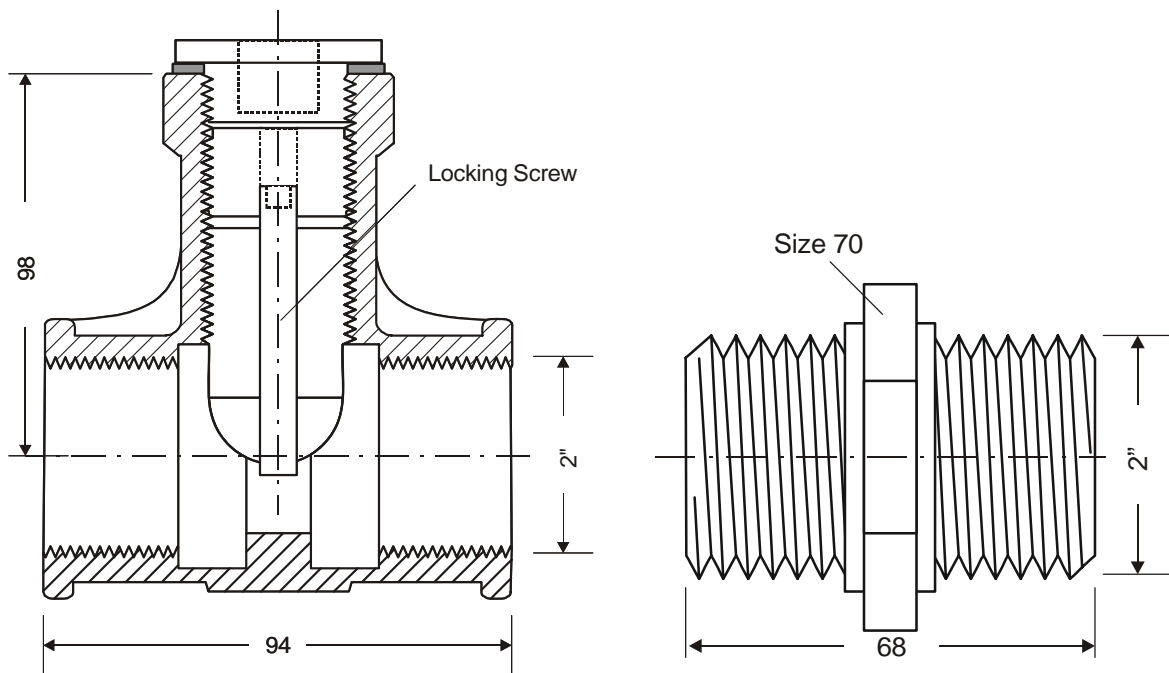
Once contact is made with the diode, the burner control should go into operation.

If there is no flame signal, the following should be checked:

- Is the supply voltage present on the burner control?
- Is the polarity of the test diode correct?
- Are the ceramic insulators damp, dirty or broken? If so, clean or replace.
Remedy: If so, clean or replace.

In case of spark problems please see chapter 'Trouble shooting'.

12. Gas- and Air-Regulating Components (to be ordered separately)

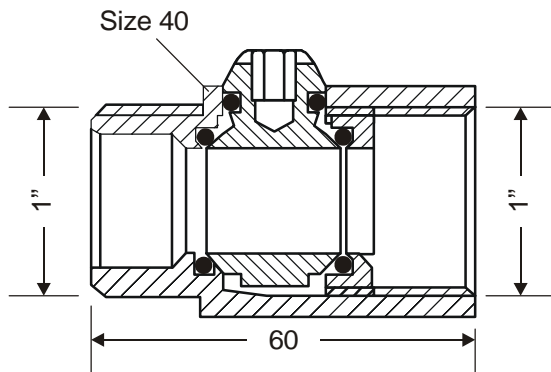


Z 945 Z 6/0FV Air Regulator

Housing: galvanized GTW 40 cast iron
 Cone: Ms 58 brass
 Cover: Ms 58 brass
 Temperature range $-20^{\circ} - +60^{\circ}\text{C}$ ($-4^{\circ} - +140^{\circ}\text{F}$),
 Pressure 300mbar max.

Z 946 F 10/00V Double Nipple

Galvanized GTW 40 cast iron
 Temperature range $-20^{\circ} - +60^{\circ}\text{C}$ ($-4^{\circ} - +140^{\circ}\text{F}$),
 Pressure 300mbar max.



Z 845 Z5 Ball Valve (for setting the gas flow pressure)

Housing: Ms 58 brass
 Gaskets: Teflon
 Temperature range $-20^{\circ} - +60^{\circ}\text{C}$ ($-4^{\circ} - +140^{\circ}\text{F}$),
 Pressure 300mbar max.

13. Troubleshooting

The following items have to be carried out step by step

13.1 Spark cannot be seen

Possible Causes:

- .1 Igniter has not been energized
- .2 Spark suppresses the ionisation signal.
(Visual check in dark surrounding with **fuel valves closed**.)



Caution: do not touch high voltage electrode.)

Possible Reasons/ Remedy

- .1.1 Remedy: Check wiring.
Check BMS.
- .2.1 Spark electrode internals has been burnt away
Remedy: replace electrode, clean igniter / burner internals and verify the correct spark gap.
- .2.2 Electrode distance too large or has a short circuit
Remedy: clean igniter / burner internals, replace worn parts and verify the correct spark gap of 2-3 mm.
- .2.3 Spark transformer faulty
Remedy: Replace spark transformer.
- .2.4 Tinder on the spark electrode or ground rod / bolt.
Remedy: clean igniter / burner internals, and remove layer with emery cloth.
- .2.5 Ceramic insulator is broken
(De-energize the igniter/ burner.
Remove outer tube.)
Remedy: Replace ceramic insulator.

13.2 Flame cannot be seen

Possible Causes:

- .1 No combustion air.
(Check pressure at test nipple).
- .2 No fuel
(Check pressure at test nipple).
- .3 Air/Fuel ratio not correct.
(Check fuel and air pressure at test nipple)

Possible Reasons / Remedy

- .1.1 Sleeves or valves are completely closed.
Flap or valve does not work.
- .1.2 Pipe is clogged.
- .2.1 Fuel pipe too long.
Remedy: Install valve close to Burner/ Igniter.
- .2.2 Fuel pipe inert with nitrogen.
Remedy: Start the igniter/ burner several times to get the inert gas removed and replaced by fuel.
- .2.3 Shut off valve is out of order.
Remedy: Replace fuel valve.
- .3.1 Check correct fuel and air pressure adjustment.
Use diagram values given in igniter/ burner manual.
- .3.2 Correct fuel type?
- .3.3 Clean combustion air?

13.3 Flame can be seen but no flame signal present after safety spark time has elapsed

Possible Causes:

- .1 No ionisation signal.
(Visual check with **fuel valves closed** and de-energized igniter/ burner.)
- .2 Igniter/ burner is wired to a Hegwein burner control:
Supply voltage is released simultaneously with operation voltage.
- .3 Igniter/ burner is wired to burner control of another make:
spark suppress the ionisation signal.
- .4 Burner/Igniter has been exposed to excessive temperature from combustion chamber during Burner/Igniter stand still. Ceramics are too hot, the insulation resistance has dropped to a value that is too low.
- .5 The setting of the fuel and air pressures at the burner/igniter are not correct. Flame root is not in the area of the ionisation electrode.
- .6 After failure correction of item1- 5 a flame signal is still not available.
If flame signal is still not reported though step 1 to 5 have been verified.

Possible Reasons / Remedy

- .1.1 Ionisation electrode has been burnt away.
Remedy: Replace electrode and verify the correct spark gap.
- .1.2 Ceramic insulator is broken.
Remedy: Replace insulator.
- .2.1 Operation voltage must lag supply voltage at least by 0.5 seconds.
- .3.1 Spark voltage must be shut off 0.5 seconds before spark safety time has elapsed.
- .4.1 Leave blower air fully on or in cooling stage while the burner/igniter is switched off.
- .5.1 Adjustment and correction of the corresponding devices.
Use diagram values as given in the available manual.
- .5.2 Flame is pushed out of the igniter/ burner mouth : Fuel or/ and air flow insufficient.
- .6.1 Remedy: Check complete wiring with test diode A10Z2.
See manual.

13.4 Shut off during operation

Possible Causes:

- .1 Varying back pressures or supply pressures cause the flame to trip.



Possible Reasons / remedy

- .1.1 Check pressure at the test nipples. Fluctuations require a differential pressure regulator on the air and fuel supply side.
- .1.2 Burner or igniter test should be carried out outside combustion chamber.
Local safety regulations must be observed.
- .2 Pilot flame is strongly influenced or when suffocated by the main flame.
 - .2.1 Remedy: Change igniter position
 - .2.2 Remedy: A more powerful burner/ igniter may be requested.

13.5 Automatic shut-down at start-up when a flame is reported before the spark fuel valve have been opened

Possible Causes:

- .1 Flame has not extinguished after the previous shut-down due to a leaking valve and is still present when system is restarted.

Possible Reasons / remedy

- .1.1 Remedy : Replace valve.

13.6 Electrical Malfunction

- .1 Burner control does not start

- .1.1 Remedy: Devices of a different make can cause trouble. See chapter.

In case of questions please give us the exact type designation as given on the nameplate.

14. Approvals



EG-Konformitätserklärung / EC Declaration of Conformity

Hersteller/ <i>Manufacturer</i>	Georg Hegwein GmbH & Co. KG
Anschrift/ <i>Address</i>	Am Boschwerk 7, D-70469 Stuttgart
Produktbezeichnung <i>Product description</i>	Gaszündbrenner Baureihe ZG... <i>Gas fired ignitors ZG...</i>

Die Zündbrenner sind für den industriellen Bereich vorgesehene Komponenten der Feuerung. Da sie keine elektrischen Zusatzbauteile beinhalten, können sie herstellerseitig keiner EMV-Prüfung unterzogen werden.

These burners are components for industrial combustion systems. As they are not fitted with integrated electrical parts the manufacturer cannot subject them to any EMC tests.

Die elektromagnetische Verträglichkeit kann nur nach bestimmungsgemäßem Einbau in eine Feuerung in Verbindung mit dem Zündtrafo und dem Zündkabel geprüft werden. Die Verantwortung liegt gemäß EMV-Richtlinie beim Errichter der Anlage.

The electromagnetic compatibility can only be proved after appropriate installation into a combustion system complete with the spark transformer and the ignition cable. As per EMC regulations, the erector has to take responsibility.

Die Störemission durch den hochfrequenten Zündfunken ist durch den Einbau in eine metallische Brennkammer und durch Verlegung der Kabel in einem metallisch/geerdeten Rohr bzw. Schlauch in der Regel unterbunden.

The interference emitted by the high frequency ignition spark, can in most cases be avoided by installing the burner into a metal combustion chamber and by laying the cables inside an earthed metal tube or hose.

Das bezeichnete Produkt stimmt mit den Vorschriften folgender europäischer Richtlinien überein, vorausgesetzt, dass es installiert, gewartet und entsprechend seiner Bestimmung eingesetzt wird. Die einschlägigen Vorschriften und Hinweise aus der Bedienungsanleitung sind zu beachten.

The described product complies with the following provisions of Council Directive, provided that it is installed, maintained and used in applications for which it was made, in accordance with relevant installation standards and manufacturer's instructions.

Richtlinie des Rates 90/396/EWG (Gasgeräte-Richtlinie)
Council Directive 90/396/EEC (Gas appliance directive)

Wir bestätigen die Konformität des oben bezeichneten Produkts mit folgenden Normen:
We confirm the conformity of the above mentioned product with the following standards:

EN 60730-1

\\PRJMERGY060\Vertrieb\Vorlagen\Formulare\Konformität\KONF_ZG_...doc

24.03.2004 08.04

Georg Hegwein GmbH + Co. KG
Am Boschwerk 7
D-70469 Stuttgart
Tel.: +49 711 13 57 88-0
Fax: +49 711 13 57 88-5

Banken: Deutsche Bank Stuttgart 9 212 200
BLZ 600 700 70
IBAN: DE04600700700921220000
SWIFT: DEUTDE55
Postbank Stuttgart 655 36-705
BLZ 600 100 70

Kommanditgesellschaft:
Stuttgart HRA 4951
USt-IdNr.:
DE 147 512 966
Steurnummer/Tax ID:
93153/01730

Persönlich haftende Gesellschafterin:
Hegwein GmbH
Stuttgart HRB 4303
Geschäftsführung:
Prof. Dr.-Ing. Peter Martin (Vorsitzender),
Dr.-Ing. Ulrich Greul

DURAG GROUP
*Solutions for Emission
and Combustion*
www.hegwein.de
e-mail: hegwein@durag.de



Aussteller
Issuer

Georg Hegweïn GmbH & Co. KG

Ort, Datum
Place, date

Stuttgart, 20.09.2003

Rechtsverbindliche Unterschrift
Legally binding signature


Dr. Ing. U. Greul

VPRIMERGY660\Vertrieb\Vorlagen\Formulare\KonformitKONF_ZG...doc

13.11.2003 15:31

Georg Hegweïn GmbH + Co. KG
Am Boschwerk 7
D-70469 Stuttgart
Tel.: +49 711 13 57 88-0
Fax: +49 711 13 57 88-5

Banken: Deutsche Bank Stuttgart 9 212 200
BLZ 600 700 70
IBAN: DE04600700700921220000
SWIFT: DEUTDE33
Postbank Stuttgart 655 36-705
BLZ 600 100 70

Kommanditgesellschaft:
Stuttgart HRA 4951
USt-IdNr.:
DE 147 512 966
Steuernummer/Tax ID:
93153/01730

Persnlich haftende Gesellschafterin:
Hegweïn GmbH
Stuttgart HRB 4303
Geschftsfhrung:
Prof. Dr.-Ing. Peter Martin (Vorsitzender),
Dr.-Ing. Ulrich Greul

DURAG GROUP
*Solutions for Emission
and Combustion*
www.hegweïn.de
e-mail: hegweïn@durag.de