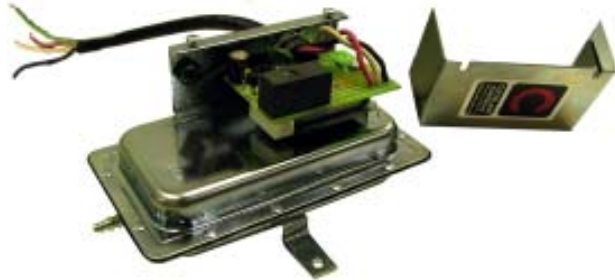


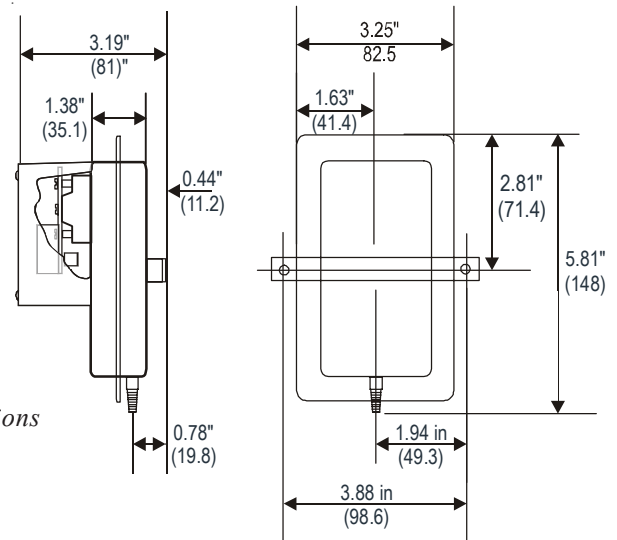


Cleveland Controls
Division of UniControl Inc.

Model FS-751-189



Dimensions



Application

Model FS-751-189 is an airflow proving switch with an electronic cycle timing board designed for HVAC or Energy Management applications where a conduit enclosure-protected, nonadjustable switch is desirable. It is especially suitable for surface-mounting in areas where internal access is limited, and it is advisable to provide protection against accidental contact with the switch terminals. It can be used to sense positive air pressure. The FS-751-189 is equipped with a convenient barbed sample line connector that accepts flexible tubing.

General Description & Operation

The plated housing contains a diaphragm and a snap-acting SPST switch.

The barbed sample line connection located on the high pressure side of the diaphragm accepts flexible tubing.

The SPST snap action switch operates on pressure rise of 0.05"w.c., ± 0.02" w.c. For additional application and technical information, please contact the sales office.

The cycle timing board functions as an integral recycling delay timer.

Mounting

Select a mounting location which is free from vibration. The FS-751-189 must be mounted with the diaphragm in any vertical plane in order to maintain the specified operating set point. Avoid mounting with the sample line connection in the "up" position. Surface mount via the two 3/16" diameter holes on the zinc-plated strap bracket. The mounting holes are 3-7/8" apart.

Air Sampling Connection

The FS-751-189 is equipped with a barbed 1/4" slip-on sample line connection, situated on the high pressure side of the diaphragm. The connection is suitable for flexible tubing. Locate the sampling probe a minimum of 1.5 duct diameters downstream from the air source.

Install the sampling probe as close to the center of the airstream as possible.

Electrical Connections

Before pressure is applied to the diaphragm, the switch contacts will be in the normally closed (NC) position.

SPECIFICATIONS Model FS-751-189 Air Pressure Sensing Switch with Fixed Set Point

Set Point:

Fixed to operate on pressure rise at 0.05±0.02"w.c.
(1.27±0.508 mm)

Switch Differential (Approximate):

0.023±0.01"w.c.
(0.508±0.254 mm w.c.)

Maximum Pressure:

1/2 psi (0.03 bar)

Operating Temperature Range:

-40F to 180F
(-40.0 C to 82.2C)

Mounting Position:

Diaphragm in any vertical plane to obtain specified operating set point.

Sample Line Connector:

Barbed 1/4" slip-on connector, suitable for flexible tubing.

Shipping Weight: 1.2 lbs

Approvals: UL, CSA

Functional Specifications

Integral recycling delay timer with 10 minute ON, 15 seconds OFF cycle, 120 volt input.

Power: 120 V AC +10%/-15%, 50/60 Hz.

Timing Range: 10 minutes (600 seconds) ±10%.

Output: SPST NO relay rated for 10 amps (resistive) @ 120 V AC or 1/4 hp @ 120 V AC.

Electrical Connections: 18/4 jacketed cable.

Temperature Range: -40 to 140 F (-40 to 60C).



Cleveland Controls

Division of UniControl Inc.

1111 Brookpark Road • Cleveland OH 44109

Tel: (216) 398-0330 • Fax: (216) 398-8558

email: sales@unicontrolinc.com

webpage: www.clevelandcontrols.com