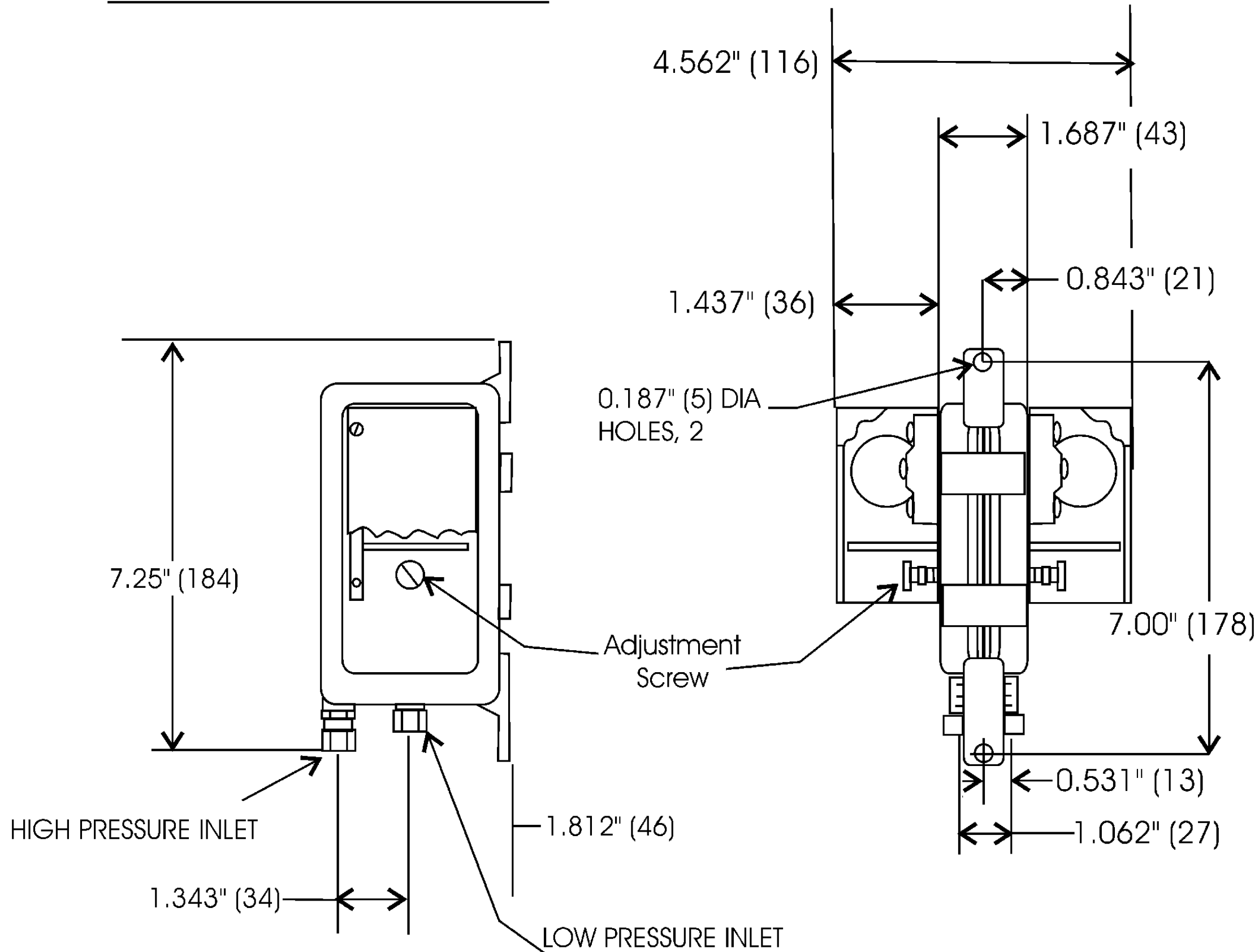


# Switch Element "B"



# Switch Element "A"

